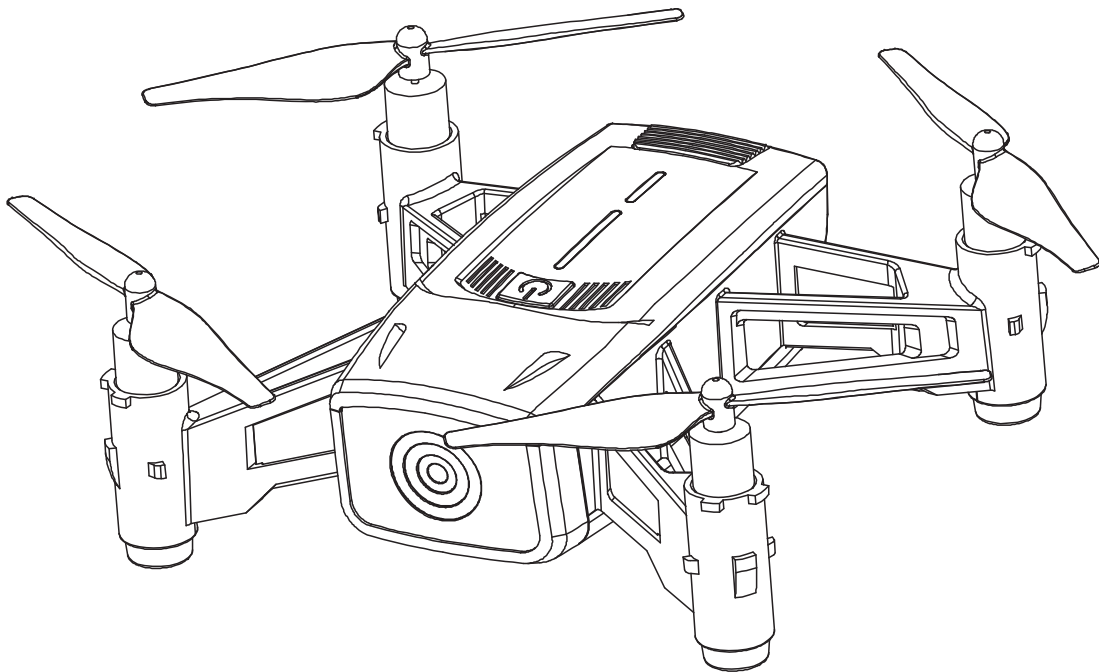


# CANARY

BATTLE-FPV-OPTICAL FLOW



## INSTRUCTIONS 3 IN 1 DRONE FOR USE



### **FORBIDDEN:**

Special design for indoor & outdoor, please keep it away from obstacle.

This product is suitable for indoor (the wind grade should be not more than 4), please choose a place without obstacle, and keep distance from crowd and pets, don't play it under unsafety, for instance, heat source, wire or electronic power source in order not to be damaged by collision landing, entanglement and lead to a fire, electric shock and cause losses of lives and property.

# DISCLAIMER & WARNINGS

1. Please read this disclaimer, warnings and safety guidelines carefully before using our product. This product is not recommended for people under the age of 14. By using this product, you hereby agree to this disclaimer and signify that you have read it fully. You agree that you are responsible for your own conduct and any damaged caused while using this product, and its consequences. You agree to use this product only for purposes that are proper and in accordance with local regulations, terms and all applicable policable polices and guidelines we may make available.
2. When using this product, please be sure to strictly abide by the specification requirements and safety guidelines stated in this document. Any personal injury property damage, legal disputes and all other adverse events caused by the violation of the safety instructions or due to any other factor, will not be our responsibility.

## WARNINGS

- (1). The drone is designed for 14+.
- (2). Adult supervision is always advisable with any from of flying toy.
- (3). Always ensure your flight area is free of all obstacles before taking off, and ensure the drone is always flown in excess of 1.5 meters from yourself and others
- (4). Remove all batteries from the drone and controller when not in use.
- (5). Never overcharge battery.
- (6). Never leave to charge battery unattended.
- (7). Never touch the drones motors during or after as they can get hot.
- (8). Never touch the blades when they are in rotating.
- (9). If the drone becomes damaged, stop using it immediately.
- (10). Do not dispose of any parts of the drone or controller in the normal rubbish, all parts should be taken to your local recycling centre.
- (11). The battery in the drone should never be exposed to any form of high temperature or disposed in a fire.

# SAFETY GUIDELINES

## 1. Check Before Use

- (1). This product is not a toy, but a high precision drone that integrates various electronic stability and control mechanisms. Please be sure to set up this drone carefully and correctly to ensure safe, accident-free operation.
- (2). Please be sure that the batteries of the drone and transmitter are clean, undamaged and have enough power.
- (3). Please be sure that all the propellers are undamaged and are installed in the right orientation.
- (4). Please do a thorough check of the product before each use. Check for firmness of the parts, any signs of cracks and wear of the propeller, battery power and effectiveness of the product until all the issues have been checked completely.

## 2. Safe Flight Environment



1. Make sure the surrounding area is free of all people, pets or other obstacles before you start to fly your drone.
2. Your drone is designed for indoor or outdoor use. However, it is not recommended to fly the drone inside if there is a limited space, or outside if there is any wind.
3. Keep a safe flight distance between you and the drone at all times.

# SAFETY GUIDELINES

## 3. Use of Battery

- (1) Please ensure batteries are fitted in the correct orientation as shown in the instruction manual.
- (2) Avoid short circuits by fitting the batteries incorrectly, and do not crush the batteries as this could cause the risk of an explosion.
- (3) Do not mix new and old batteries as this can lead to a poor performance of the product.
- (4) Dispose used batteries carefully.
- (5) Please keep dead batteries away from heat and fire.
- (6) If the device is not going to be used for a long time, remove batteries to prevent potential damage from battery leakage.
- (7) It is recommended to only use the original USB charging cable that comes with the drone to charge the battery.
- (8) Don't connect the battery directly to wall outlets or car cigarette-lighter sockets.
- (9) Don't attempt to disassemble or modify the battery in any way.
- (10) Don't use the battery if it gives off an odor, generates heat, becomes discolored or deformed, or appears abnormal in any way. If the battery is in use or being charged, remove it from the device or charger immediately and discontinue use.

**Notes:** Please ensure the batteries for the drone and the remote controller are fully charged before flight.

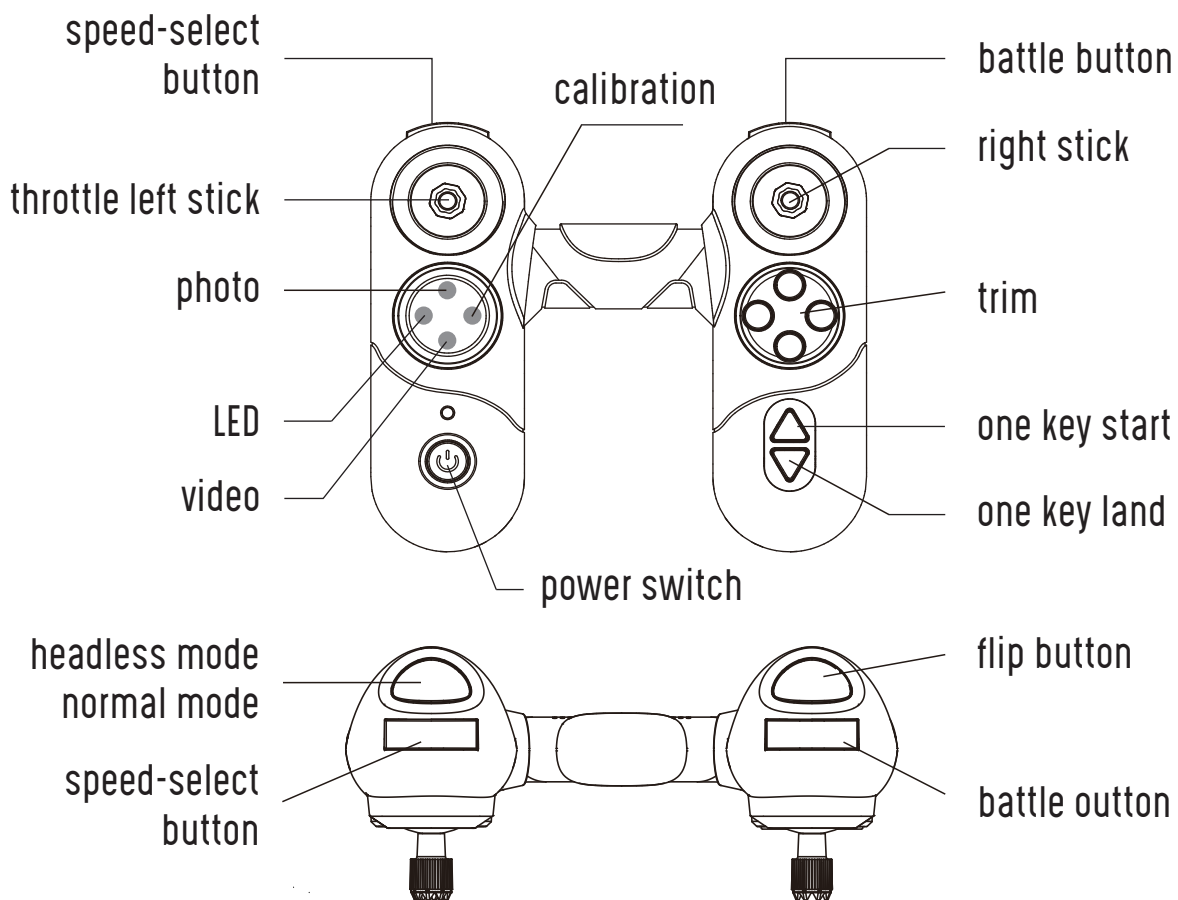


### Li-Po Battery Disposal & Recycling

Waste Lithium-polymer batteries must not be placed with household trash. Please contact local environmental or waste agency or the supplier of your model or your nearest Li-Po battery recycling center.

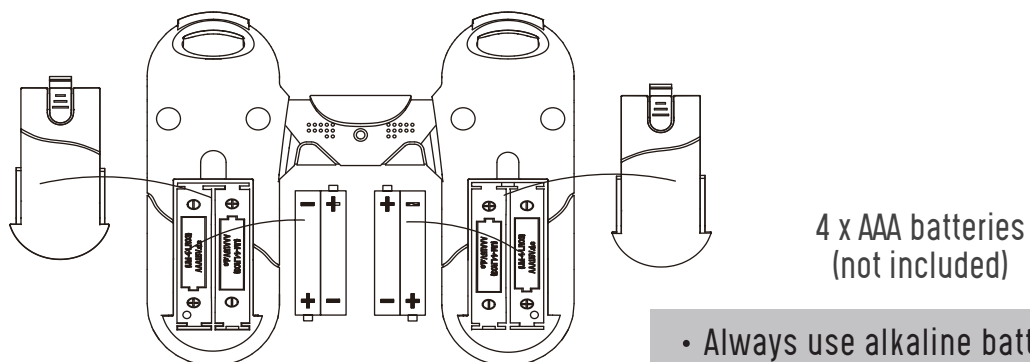


# CONTROLLER FUNCTIONS



## 1. Assemble the Battery

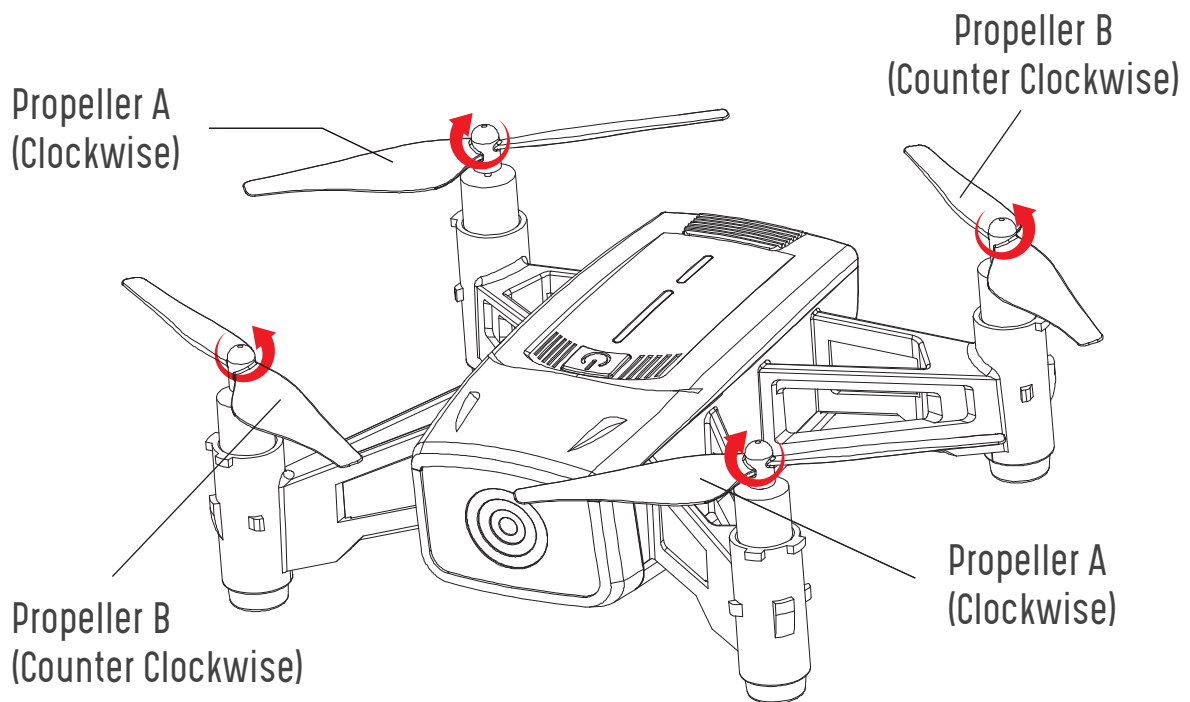
1. Unscrew the battery cover, and insert 4 x AAA batteries(not included), making sure you insert them following the correct polarity as shown.



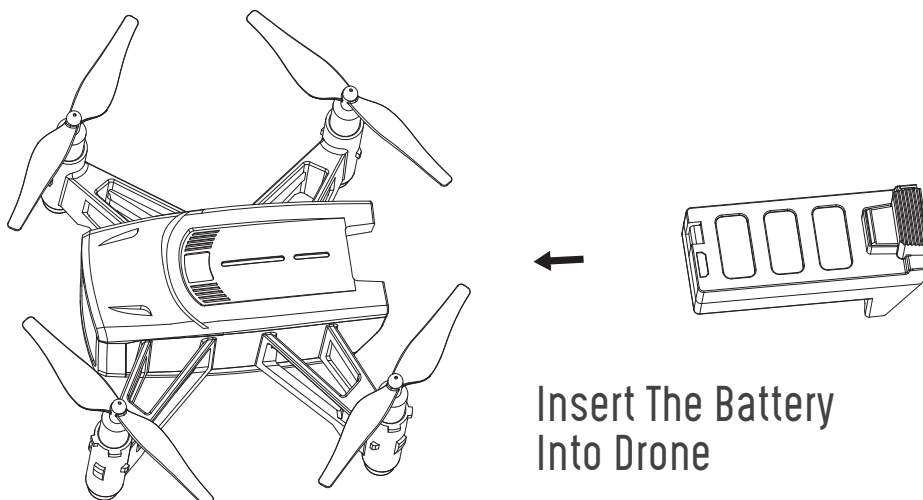
2. Re-attach the battery cover.

- Always use alkaline batteries
- Never mix old and new batteries

## 2. Drone's details

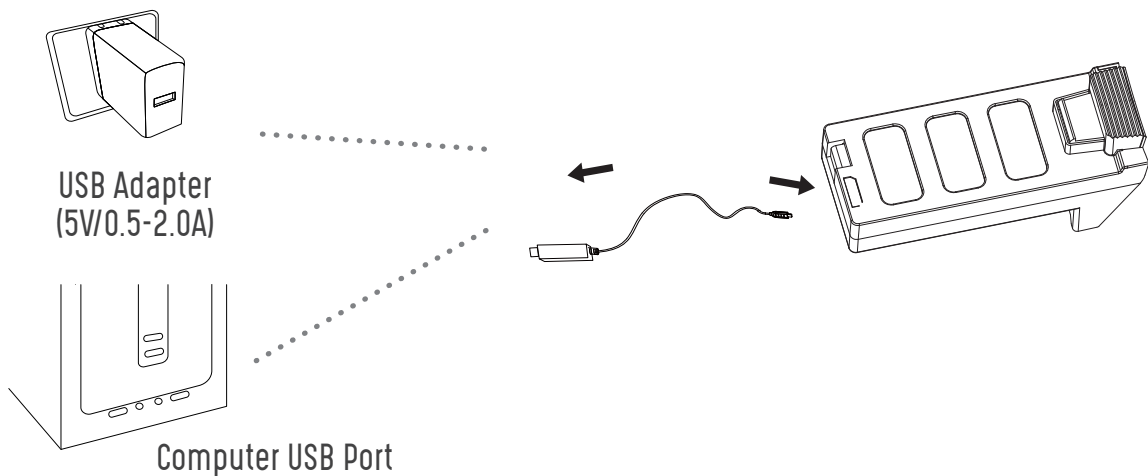


It is crucial that all the propellers are installed in the correct position (Pay attention to the letter A or B printed underneath each propeller.)



## CHARGING THE DRONE BATTERY

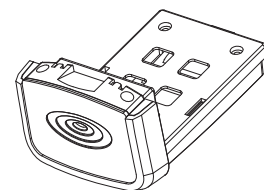
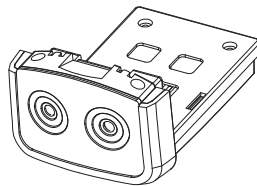
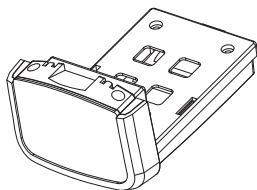
1. Remove the battery from the drone and insert the charging wire into the battery charging slot.
2. Connect the USB charger (square socket) to a computer, the USB indicator will glow red.
3. The red light will go out when the battery is fully charged.



Do not leave the battery unattended while charging & only use the original battery and plug charger.

## Assembly of Drone Function Module

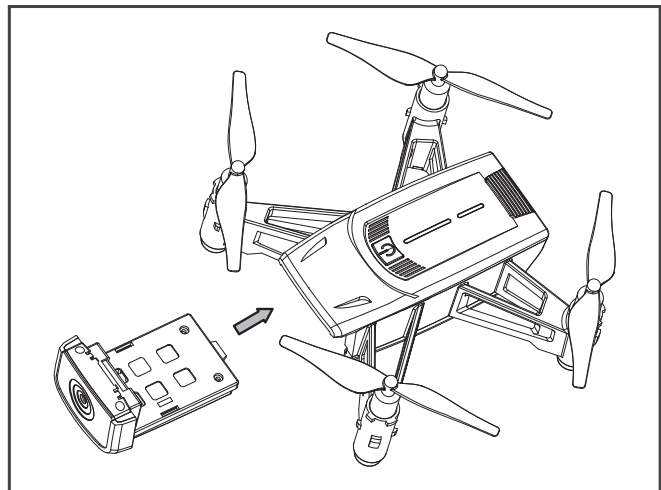
The drone contains a total of three modules, the basic module, battle module and camera module.



When the drone is equipped with the basic module, the drone has only basic functions and is suitable for users to practice flying.

When the drone is equipped with the battle module, the drone will have the battle function, which is suitable for 2 or more people to compete with each other.

When the drone is equipped with the camera module, the drone can perform functions such as photography / video / FPV flying, etc.

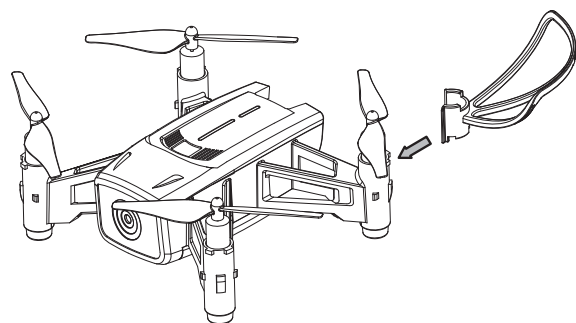


Firstly, point the module connector upwards, align it with the interface under the nose of the drone, and slide it into the middle of the bottom section of the drone until a crisp "snap" is heard to indicate the success of assembly.

Press and hold the release button of the module at the bottom of the drone, and gently slide outward to remove the module.

## ASSEMBLY OF PROTECTIVE RINGS

Insert the protective ring diagonally into the side of the motor base and get it connected with the buckle.



**Note 1:** The drone must be equipped with protective rings during flight. It can protect the safety of the drone propellers and the motors.

**Note 2:** After the flight is completed, the external temperature of the motor will reach 60 degrees, do not directly touch the motor with your hands to avoid burns.

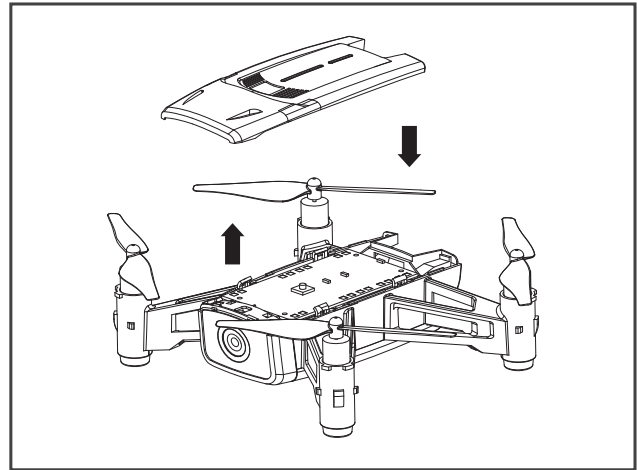


**WARNING**



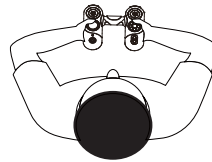
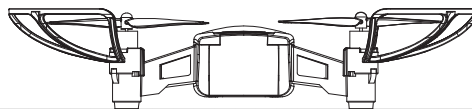
## REPLACEMENT OF DRONE COVER

Since the upper cover and the rack are tightly matched without screws, find the gap between the upper shell and the rack from where the upper cover can be disassembled by hand or a knife, and then the upper shell can be removed for replacement.

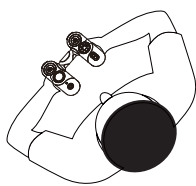


## PAIRING THE DRONE TO THE CONTROLLER

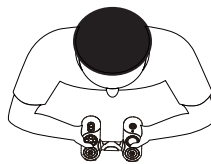
1. Turn on the remote control.



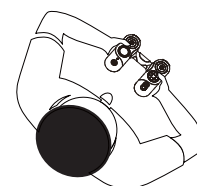
The direction of control when the drone is paired.



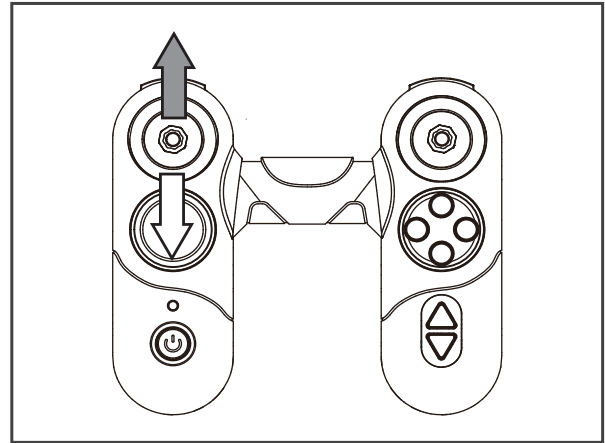
X



X

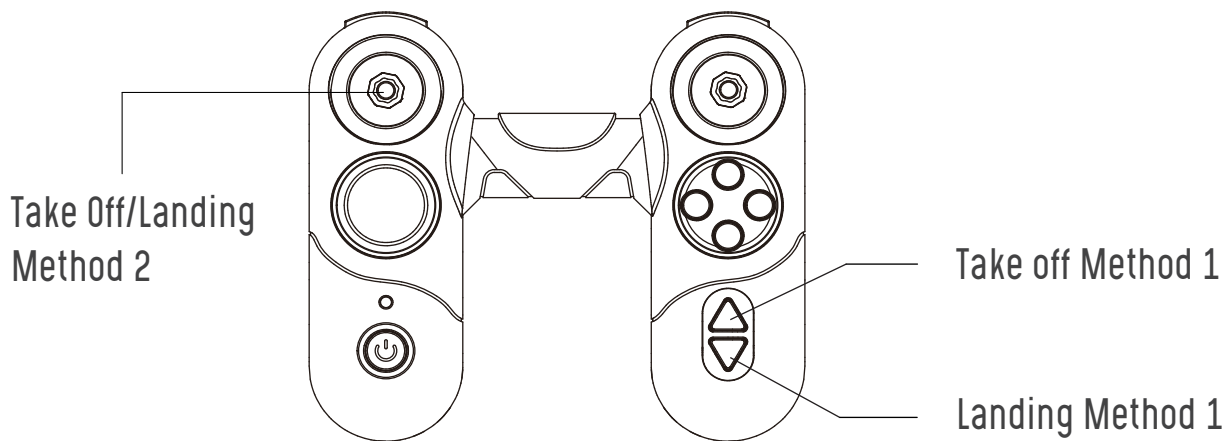


2. Connect the battery to the drone and turn on the drone. The lights on the drone will flash.
3. Place the drone down on a flat surface, and make sure that the head of the drone is facing the front and the tail facing the rear (pilot).



4. Push the left throttle up once and controller will beep once.
  5. Pull the left throttle down once and controller will beep once.
- Pairing is completed once the drone lights and controller lights stop flashing.

## FLYING THE DRONE



### 1. Taking Off / Landing

#### Method 1

Press the one key start button, the propellers will rotate without taking off. Push up the left stick to take off.

## Method 2

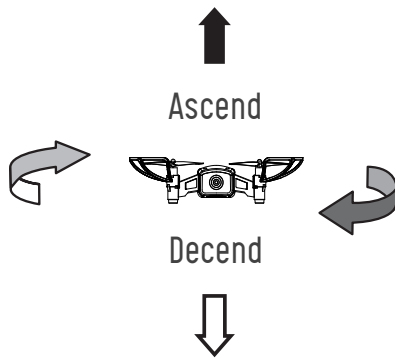
Push the left stick up until the propellers rotate without taking off and then push up the left stick again to take off.

## Landing

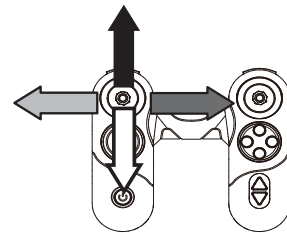
Method 1: Press the one key land button, the drone will land by itself.

Method 2: Pull the left stick down until the drone lands.

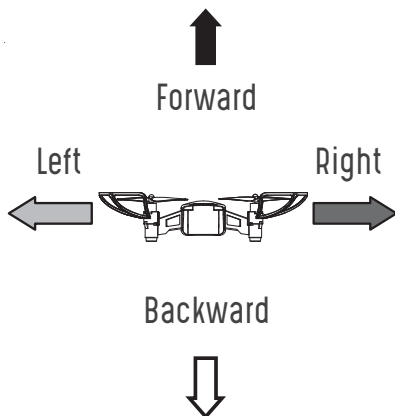
## 2. Altitude & Rotating



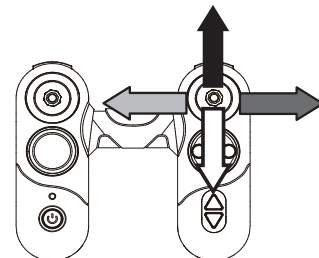
Use the left stick to control the altitude and rotation during flight.



## 3. Forward / Backward / Left / Right



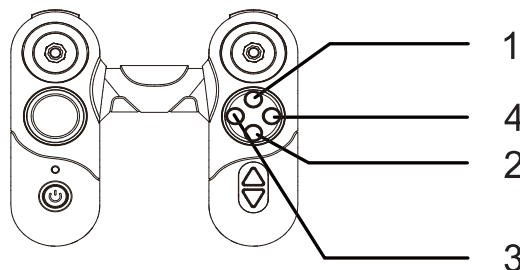
Use the right stick to control forward, backward, left and right movement during flight.



## 4. Trimming

If the drone sways in an unprompted direction, use the trim buttons to correct the flight:

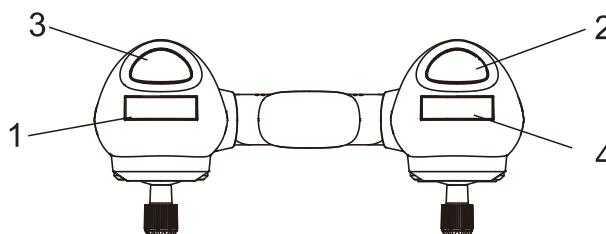
- 1- Forward trim
- 2- Backward trim
- 3- Left trim
- 4- Right trim



## FEATURES

### 1. Speed Modes

Select among 3 speed modes:  
40% speed - controller makes 1 beep  
60% speed - controller makes 2 beeps  
100% speed - controller makes 3 beeps



### 2. 360° Flips

Perform 360° flips by pressing the "flip" button and immediately operate the right stick in the desired direction.



**WARNING**

**Note:** The flip button only has function for drone equipped with the basic module or the battle module, the camera module does not have this function.

### 3. Headless Mode / Normal Mode

**Headless mode:** To activate headless mode, press "headless" button and the drone will fly in the desired selected direction, regardless of the direction the drone is facing. Press the headless button again to go back to the normal mode.

**Normal mode:** Press and hold this button for 2-3 seconds to enter the altitude hold mode of flight, that is to exit the optical flow mode of flight.

Then press and hold for 2-3 seconds to re-enter the optical flow mode.

## 4. Battle Function

This drone is a battle drone, press the battle button during flight to shoot other battle drones. One beep sound will be heard from the controller, and also the front blue lights will blink once from the drone, that means an infrared bullet is launched once.

Shot chance and performance:

When the battle drone get 1st shot, it will sway for 2-3 seconds; get 2nd shot, it will contrarotate for 2-3 seconds; get 3rd shot, it will vertically flip left once and flip right once; get 4th shot, it will spiral down to the ground, game over. After 2-3 seconds, this battle drone could fly up again to have a new battle.



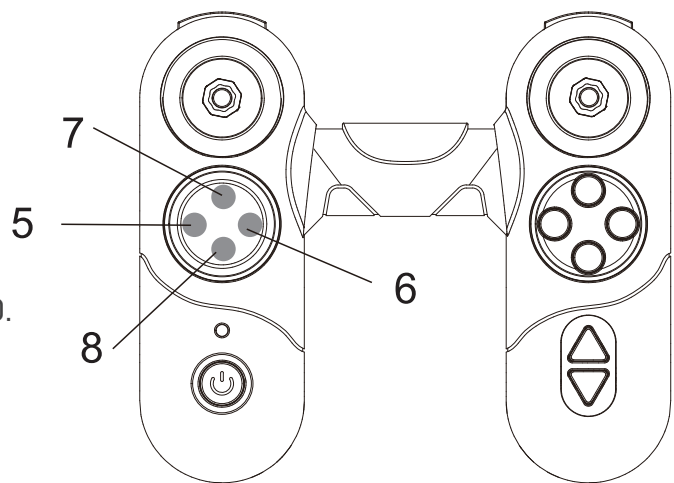
**Note: The battle function button only has function after the battle module is installed. This button will be non-functional for the basic module and the camera module.**

## 5. LED

Press the LED button to turn on/off the lights.

## 6. Calibrating the Gyro

Press this button to calibrate the gyro. The indicator lights on the drone will blink and turn solid which means calibration is completed.



## 7. Photography

Press once the photo button, the lights on the drone will blink once.



**Note: The photo button will has function only after the camera module is installed. This button is non-functional for the basic module and the battle module.**

## 8. Video Recording

Press once the video button, the lights on the drone will blink twice.  
Press it again to stop recording, the lights will blink twice again.



Note: The video function button will have function only after the camera module is installed. This button is non-functional for the basic module and the battle module.

## Finding the Photo and Video Files

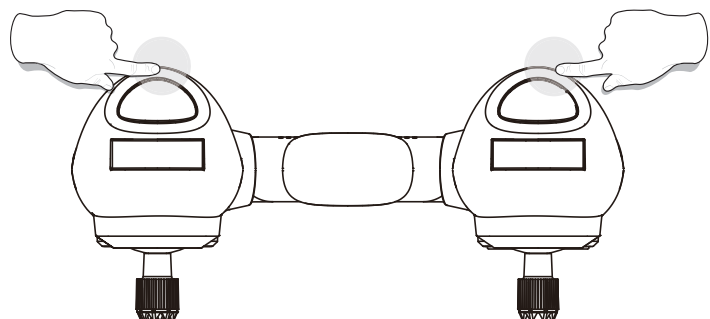
- The photos and videos are stored in the smart phone.
- Make sure the smart phone is connected to the camera wifi successfully before taking the photos and videos.

## 9. Emergency Stop



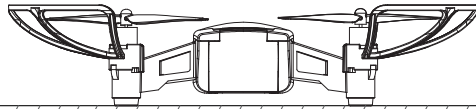
Only stop motors mid-flight in an emergency situation, doing so to reduce the risk of damage or injury.

Press the above two buttons on the controller at the same time, the motors will stop rotating immediately.



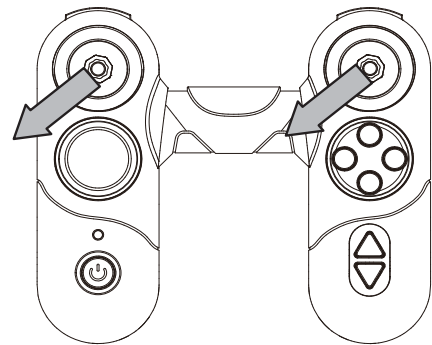
# RESETTING THE DRONE

When the flight of the drone is unstable or deviated from the left and right after taking-off, correct the gyroscope and the flight will be more stable after the correction.



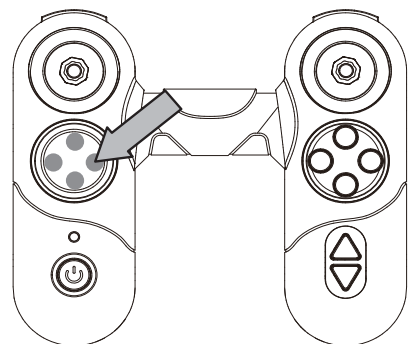
## Method 1

1. Turn on the drone and controller, place the drone on flat ground (it is very important), then push the left stick of the controller up and down once to pair with the drone.
2. Then pull both left and right stick of the controller to the lower left corner (7 o'clock direction). This will reset the drone to its original factory settings and will be ready to fly again.

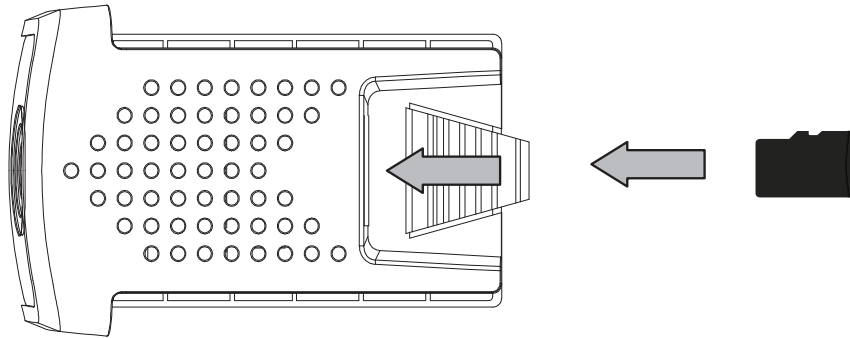


## Method 2

Press this button to calibrate the gyro.  
The indicator lights on the drone will blink and turn solid which means calibration is completed.



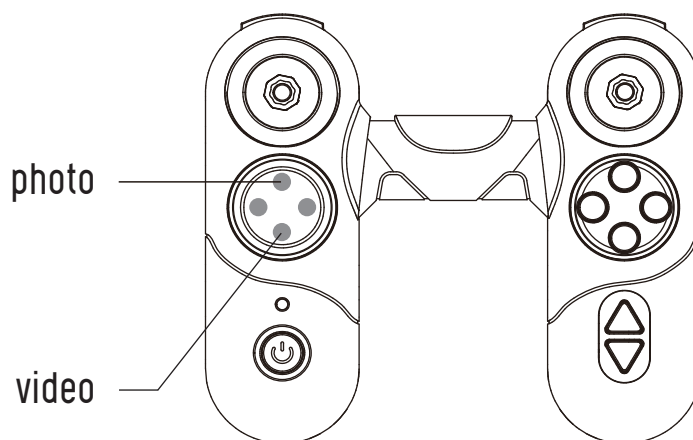
## INSERTING THE SD CARD



Insert the SD card (not included) to the slot in right direction. If the SD card is inserted upside down, it will get stuck and the camera will not work.

## Downloading the Photo and Video Files

- Remove the SD card from the drone and plug it into the card reader (not included).
- Plug the card reader into the computer to access the files.





## FITTING THE PHONE HOLDER



1. Position the phone holder to the middle of the remote controller.
2. Use the screws which are behind the phone holder to adjust the tightness between the holder and the controller.



3. Pull out the holder and place the phone in the holder.

## TROUBLE SHOOTING

<b>Problem</b>	<b>Possible Cause</b>	<b>Solution</b>
The indicator lights of the drone are flashing and do not respond to the transmitter.	<ol style="list-style-type: none"> <li>1. The controller is not paired with the drone.</li> <li>2. Insufficient battery power.</li> </ol>	<ol style="list-style-type: none"> <li>1. Perform pairing according to the instructions.</li> <li>2. Charge the battery.</li> </ol>
The propellers rotate, but the drone cannot take-off.	<ol style="list-style-type: none"> <li>1. Insufficient battery power.</li> <li>2. The propellers are installed in wrong direction.</li> <li>3. The propellers are distorted.</li> </ol>	<ol style="list-style-type: none"> <li>1. Charge the battery.</li> <li>2. Install the propellers in right direction.</li> <li>3. Replace the propellers.</li> </ol>
The drone sways sharply.	The propellers are distorted.	Replace the propellers.
The drone flies out of balance.	<ol style="list-style-type: none"> <li>1. The propellers are distorted.</li> <li>2. The motor is not working properly.</li> </ol>	<ol style="list-style-type: none"> <li>1. Replace the propellers.</li> <li>2. Replace the motor.</li> </ol>
The drone is out of control after crashing.	Six-axis acceleration sensor has lost its balance after crashing.	Restart and re-calibrate the drone.
The drone rotates upwards when pushing up the throttle stick or the drone sways.	The motor is not working properly.	<ol style="list-style-type: none"> <li>1. Fit well the terminal end of motor if it is loose.</li> <li>2. Replace the motor if it is broken.</li> </ol>

## DOWNLOADING APP SOFTWARE

For iPhone users, scan the QR code below, or go into Apple Store and search for "X-Fly" to download the software.

For Android smartphone users, scan the QR code below, or go into Android Market / Google Play and search for "X-Fly" to download the software.



X-Fly

# CONNECTING TO THE APP

1. Turn on the drone.
2. Enter the SETTINGS menu of your mobile device.
3. Activate WIFI connection, search for the drone's wifi network and connect to it.
4. Click downloaded APP "X-Fly" icon and enter it.
5. Choose corresponding drone and click "GO" button to enter the operation interface of the APP.
6. Click the SETTINGS icon on the interface, activate the altitude hold function.
7. Before flight, click one key take-off button once, the propellers will start to rotate slowly by itself, it is a signal to show the drone is ready to fly.  
If no further action after this operation in next 15-20 seconds, the propellers will stop rotating by itself, click the one key take-off button again, it is ready to fly again.  
Slide the virtual left throttle stick up, the drone will go up and stay at a fixed height when release the left throttle stick.

