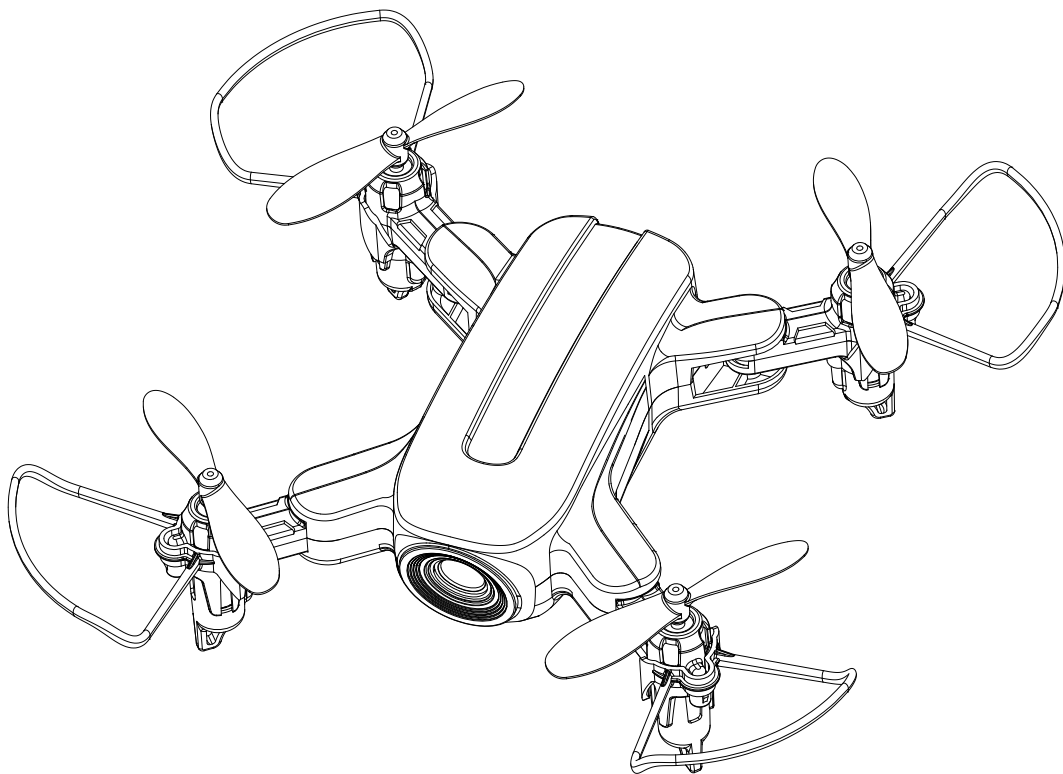


HONEYBEE

FOLDABLE MINI DRONE



INSTRUCTIONS FOR USE



FORBIDDEN:

Special design for indoor & outdoor, please keep it away from obstacles.

This product is suitable for indoor (the wind grade should be not more than 4), please choose a place without obstacle, and keep distance from crowd and pets, don't play it under unsafety, for instance, heat source, wire or electronic power source in order not to be damaged by collision landing, entanglement and lead to a force, electric shock and cause losses of lives and property.

DISCLAIMER & WARNINGS

1. Please read this disclaimer, warnings and safety guidelines carefully before using our product. This product is not recommended for people under the age of 14. By using this product, you hereby agree to this disclaimer and signify that you have read it fully. You agree that you are responsible for your own conduct and any damaged caused while using this product, and its consequences. You agree to use this product only for purposes that are proper and in accordance with local regulations, terms and all applicable policable polices and guidelines we may make available.
2. When using this product, please be sure to strictly abide by the specification requirements and safety guidelines stated in this document. Any personal injury property damage, legal disputes and all other adverse events caused by the violation of the safety instructions or due to any other factor, will not be our responsibility.

WARNINGS

- (1). The drone is designed for 14+.
- (2). Adult supervision is always advisable with any from of flying toy.
- (3). Always ensure your flight area is free of all obstacles before taking off, and ensure the drone is always flown in excess of 1.5 meters from yourself and others
- (4). Remove all batteries from the drone and controller when not in use.
- (5). Never overcharge battery.
- (6). Never leave to charge battery unattended.
- (7). Never touch the drones motors during or after as they can get hot.
- (8). Never touch the blades when they are in rotating.
- (9). If the drone becomes damaged, stop using it immediately.
- (10). Do not dispose of any parts of the drone or controller in the normal rubbish, all parts should be taken to your local recycling centre.
- (11). The battery in the drone should never be exposed to any form of high temperature or disposed in a fire.

SAFETY GUIDELINES

1. Check Before Use

- (1). This product is not a toy, but a high precision drone that integrates various electronic stability and control mechanisms. Please be sure to set up this drone carefully and correctly to ensure safe, accident-free operation.
- (2). Please be sure that the batteries of the drone and transmitter are clean, undamaged and have enough power.
- (3). Please be sure that all the propellers are undamaged and are installed in the right orientation.
- (4). Please do a thorough check of the product before each use. Check for firmness of the parts, any signs of cracks and wear of the propeller, battery power and effectiveness of the product until all the issues have been checked completely.

2. Safe Flight Environment



1. Make sure the surrounding area is free of all people, pets or other obstacles before you start to fly your drone.
2. Your drone is designed for indoor or outdoor use. However, it is not recommended to fly the drone inside if there is a limited space, or outside if there is any wind.
3. Keep a safe flight distance between you and the drone at all times.

SAFETY GUIDELINES

3. Use of Battery

- (1) Please ensure batteries are fitted in the correct orientation as shown in the instruction manual.
- (2) Avoid short circuits by fitting the batteries incorrectly, and do not crush the batteries as this could cause the risk of an explosion.
- (3) Do not mix new and old batteries as this can lead to a poor performance of the product.
- (4) Dispose used batteries carefully.
- (5) Please keep dead batteries away from heat and fire.
- (6) If the device is not going to be used for a long time, remove batteries to prevent potential damage from battery leakage.
- (7) It is recommended to only use the original USB charging cable that comes with the drone to charge the battery.
- (8) Don't connect the battery directly to wall outlets or car cigarette-lighter sockets.
- (9) Don't attempt to disassemble or modify the battery in any way.
- (10) Don't use the battery if it gives off an odor, generates heat, becomes discolored or deformed, or appears abnormal in any way. If the battery is in use or being charged, remove it from the device or charger immediately and discontinue use.

Notes: Please ensure the batteries for the drone and the remote controller are fully charged before flight.

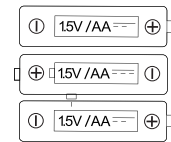
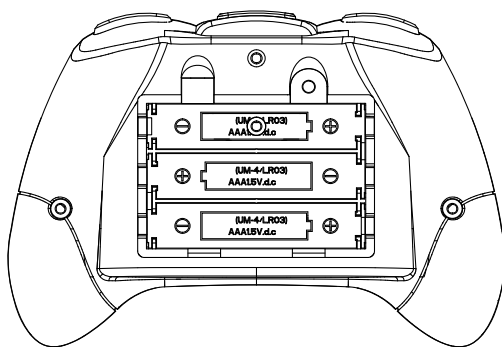
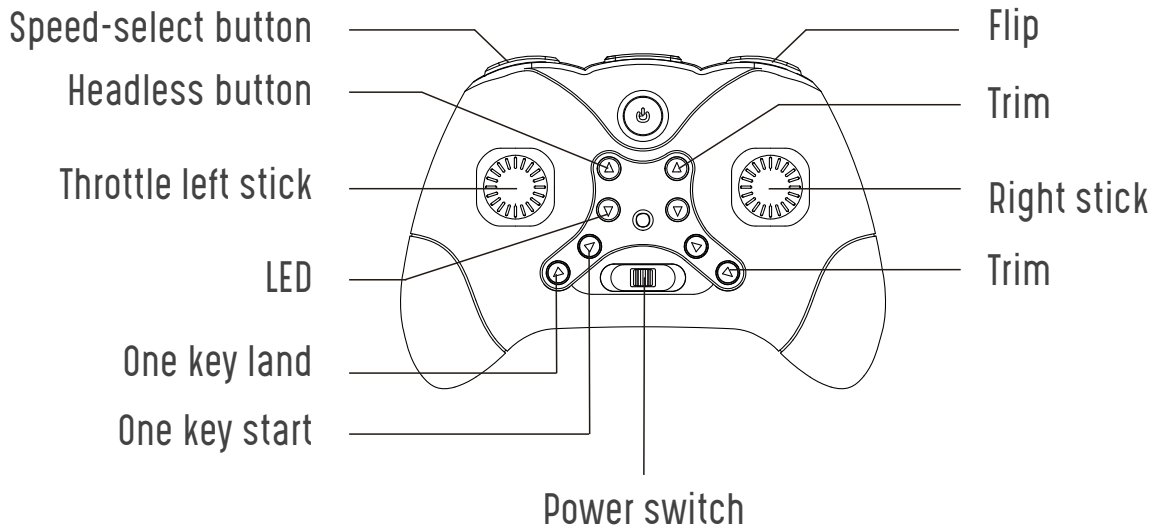


Li-Po Battery Disposal & Recycling

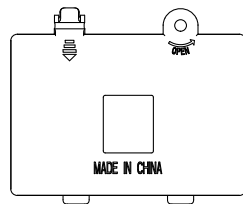
Waste Lithium-polymer batteries must not be placed with household trash. Please contact local environmental or waste agency or the supplier of your model or your nearest Li-Po battery recycling center.



CONTROLLER FUNCTIONS



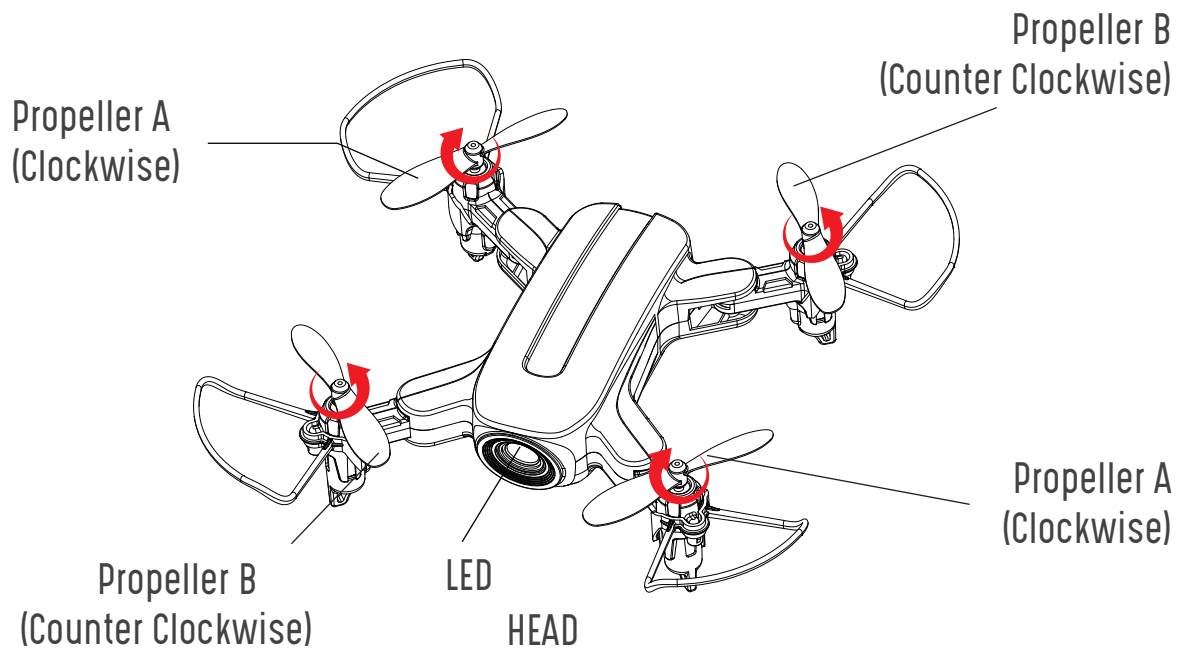
3 x "AAA" batteries
(not included)



- Always use alkaline batteries
- Never mix old and new batteries

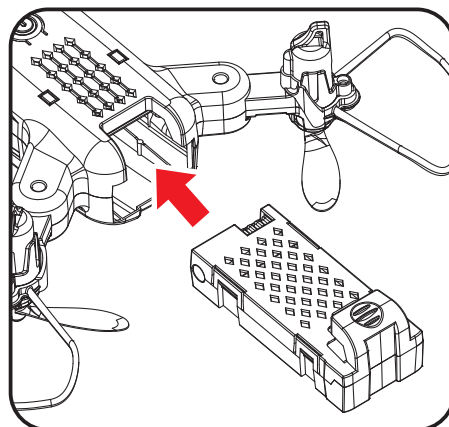
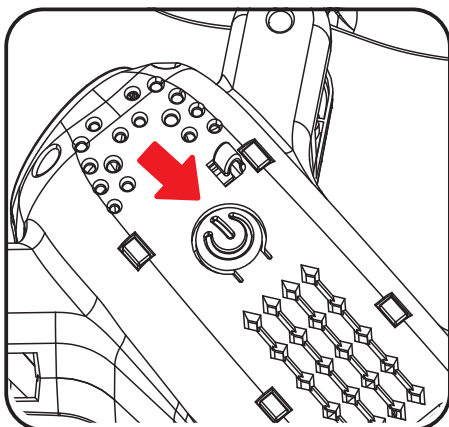
1. Unscrew the battery cover, and insert 3 x AAA batteries(not included), making sure you insert them following the correct polarity as shown
2. Re-attach the battery cover.

DRONE'S DETAILS



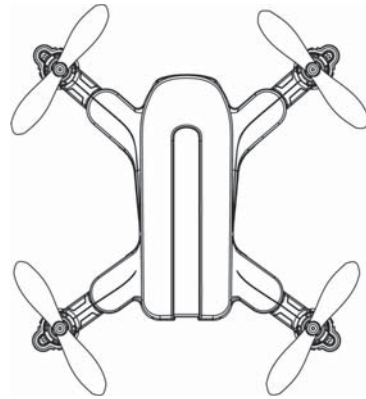
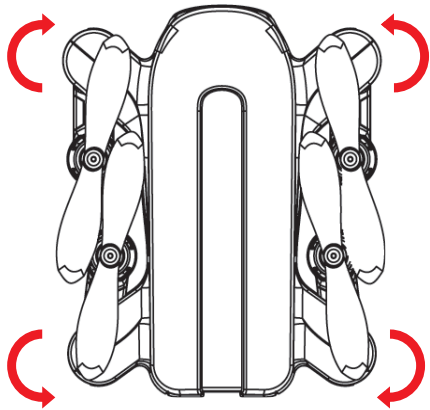
It is crucial that all the propellers are installed in the correct position (Pay attention to the letter A or B printed underneath each propeller.)

Power switch at the bottom of the drone

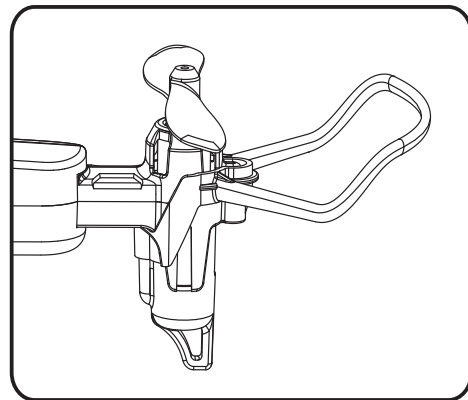
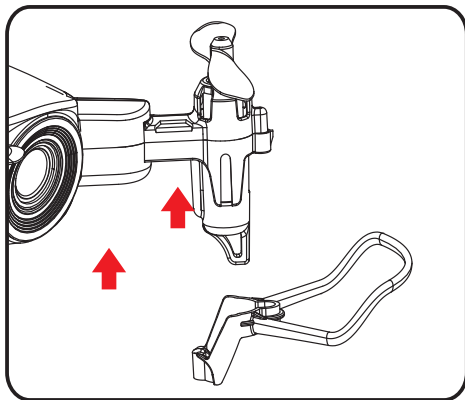


Insert the battery into the drone

Drone Unfolding Method



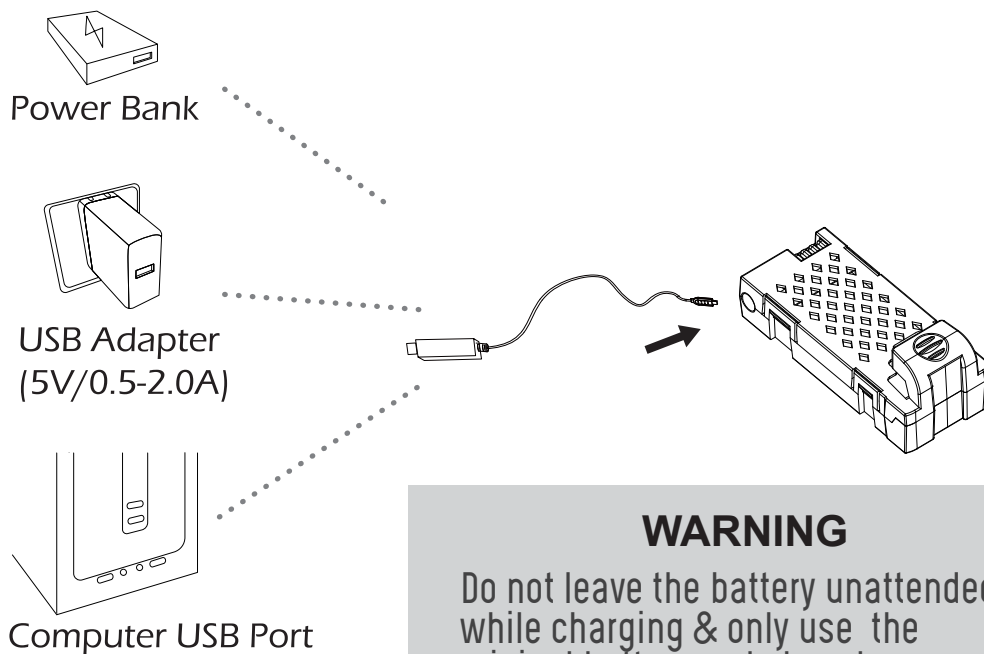
Assembling Protective Guard



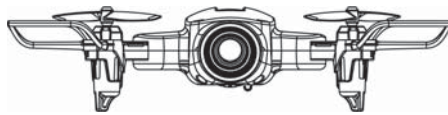
Align the protective guard with the bottom of the motor and press it into place.

CHARGING THE DRONE BATTERY

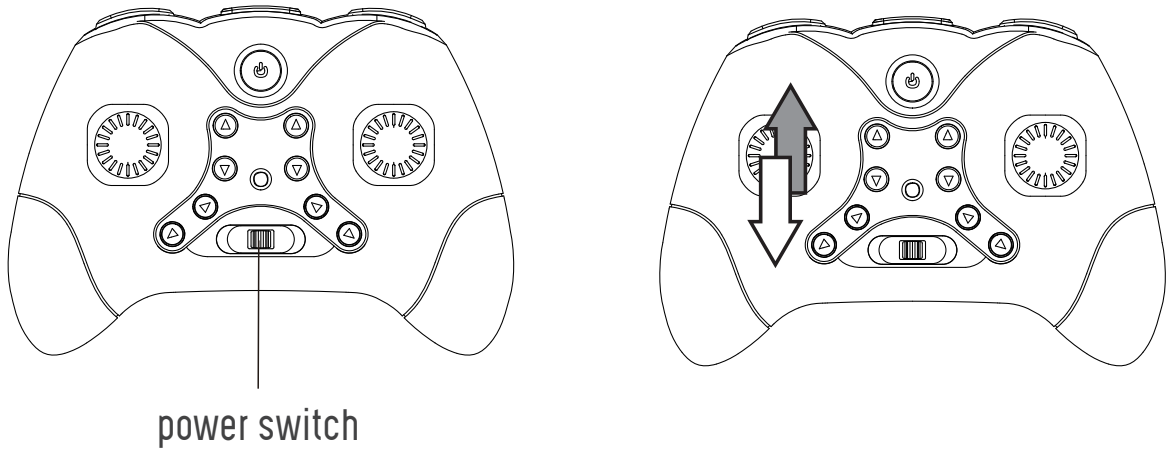
1. Remove the battery from the drone & insert the charging wire into the battery charging slot.
2. Connect the USB charger (square socket) to a computer, the USB indicator will glow red.
3. The red light will go off when the battery is fully charged.



PAIRING YOUR DRONE TO THE CONTROLLER



1. Turn on the drone. The LED on the drone will start to flash.
Place the drone down on a flat surface.



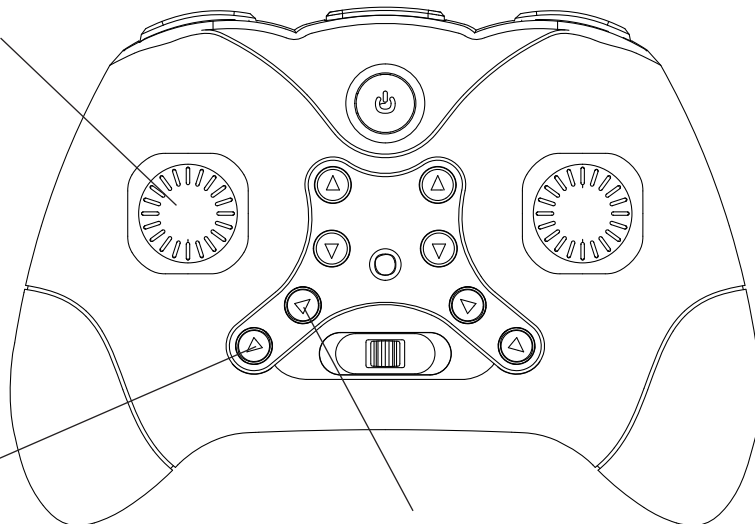
2. Turn on your controller. Your controller will beep once & LED light will flash.
3. Push left throttle up once & controller will beep once.
4. Pull left throttle down once & controller will beep once. Pairing is completed once the drone lights & controller lights stop flashing.

FLYING YOUR DRONE

Take Off/
Landing Method 2

Landing Method 1

Take Off Method 1



1. Taking Off/ Landing:

Taking Off

Method 1:

Press the one key start button, the propellers will rotate without taking off. Push up the throttle left stick to take off.

Method 2:

Push the throttle left stick up until the propellers rotate without taking off and then push up the throttle left stick again to take off.

Landing

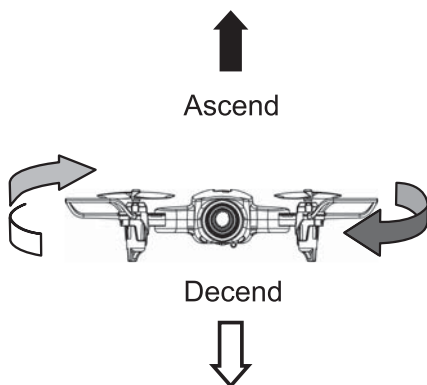
Method 1:

Press the one key land button, the drone will land by itself.

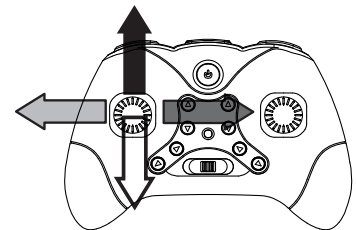
Method 2:

Pull the throttle left stick down until the drone lands.

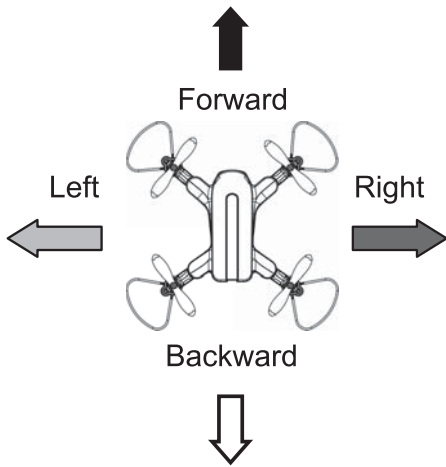
2. Altitude & Rotation:



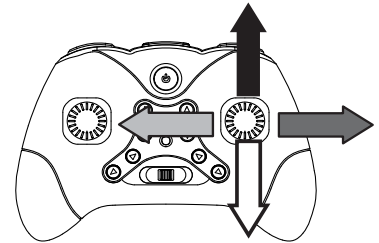
Use "throttle left stick" to control the altitude & rotation during flight.



3. Forward / Backward / Left / Right:



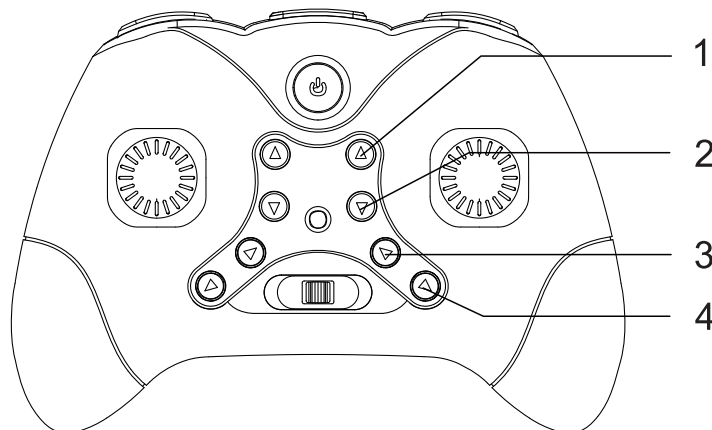
Use "right stick" to control forward, backward, left & right movement during flight.



4. Trimming:

If the drone sways in an unprompted direction, use the trim buttons to correct the flight:

- 1- Forward trim
- 2- Backward trim
- 3- Left trim
- 4- Right trim



FEATURES

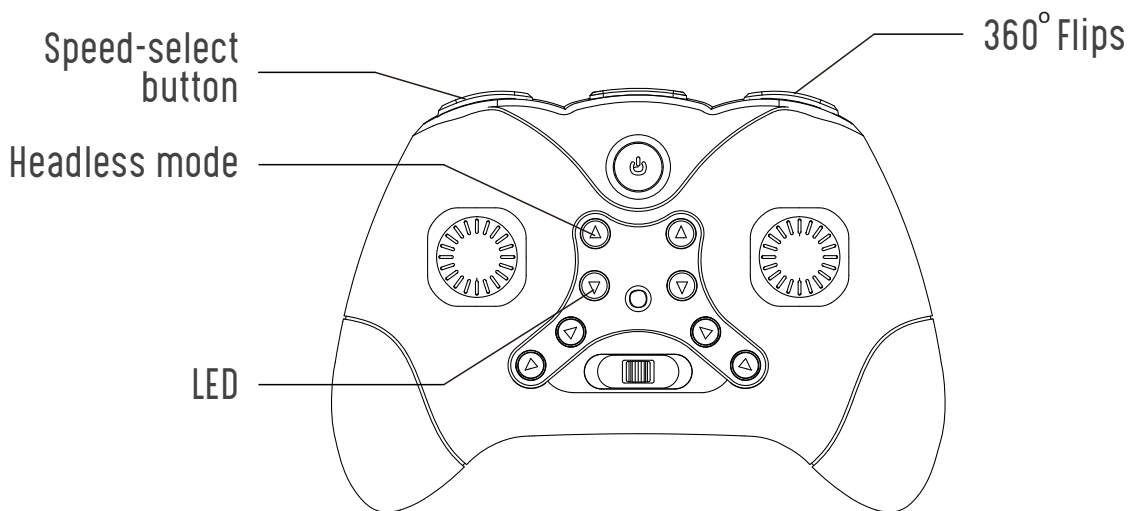
1. Speed Modes:

Select among 3 speed modes:

40% speed (controller makes 1 beep);

60% speed (controller makes 2 beeps);

100% speed (controller makes 3 beeps)



2. 360° Flips:

Perform 360° flips by pressing the "flip" button & immediately operate the "right stick" in the desired direction.

3. Headless Mode:

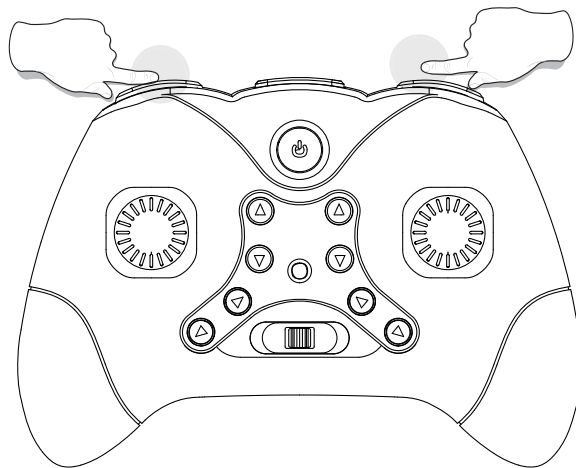
To activate headless mode, press "headless" button, the drone will fly in the desired selected direction, regardless of the direction the drone is facing. Press the headless button again to go back to the normal mode.

4. LED:

Press the LED button to turn on/off the lights.

5. Emergency Stop:

- ⚠ Only stop motors mid-flight in an emergency situations, doing so can reduce the risk of damage or injury.

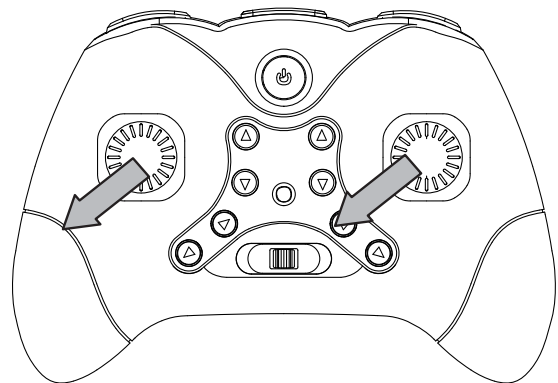


Press the above two buttons on the transmitter at the same time, the motors will stop rotating immediately.

RESETTING THE DRONE

When the flight of the drone is unstable or deviated from the left and right after take-off, the consumer can correct the gyroscope and the flight will be more stable after the correction.

1. Turn on the drone & controller, place the drone on a flat ground (it is very important), then push the left throttle of the controller up & down once to pair with the drone.
2. Then pull both left & right sticks of the controller to the left-down corner (7 o'clock direction). This will reset the drone to its original factory settings & will be ready to fly again.



TROUBLE FLYING

Problem	Possible cause	Solution
The indicator lights of the drone are flashing and does not respond to the transmitter.	<ol style="list-style-type: none"> 1. Transmitter is not paired to the drone. 2. Insufficient battery power. 	<ol style="list-style-type: none"> 1. Refer to the preparation for flight and pair again. 2. Recharge the battery.
The propellers rotate, but the drone cannot take-off.	<ol style="list-style-type: none"> 1. Insufficient battery power. 2. The propellers are installed in wrong orientation. 3. The propellers are distorted. 	<ol style="list-style-type: none"> 1. Recharge the battery. 2. Install the propellers in right orientation. 3. Replace the propellers.
The drone sways sharply.	The propellers are distorted.	Replace the propellers.
Drone cannot stay balance in flight.	<ol style="list-style-type: none"> 1. The propellers are distorted. 2. The motor doesn't work properly. 	<ol style="list-style-type: none"> 1. Replace the propellers. 2. Replace the motor.
The drone is out of control after crashing.	Six-axis acceleration sensor lost its balance after crashing.	Restart and re-calibrate the drone.

DOWNLOADING APP SOFTWARE

For iPhone users, scan the QR code below, or go into Apple Store and search for "X-Fly" to download the software.

For Android smartphone users, scan the QR code below, or go into Android Market / Google Play and search for "X-Fly" to download the software.



X-Fly

CONNECTING TO THE APP

1. Turn on the drone.
2. Enter the SETTINGS menu of your mobile device.
3. Activate WIFI connection, search for the drone's wifi network and connect to it.
4. Click downloaded APP "X-Fly" icon and enter it.
5. Choose corresponding drone and click "GO" button to enter the operation interface of the APP.
6. Click the SETTINGS icon on the interface, activate the altitude hold function.
7. Before flight, click one key take-off button once, the propellers will start to rotate slowly by itself, it is a signal to show the drone is ready to fly.
If no further action after this operation in next 15-20 seconds, the propellers will stop rotating by itself, click the one key take-off button again, it is ready to fly again.
Slide the virtual left throttle stick up, the drone will go up and stay at a fixed height when release the left throttle stick.

